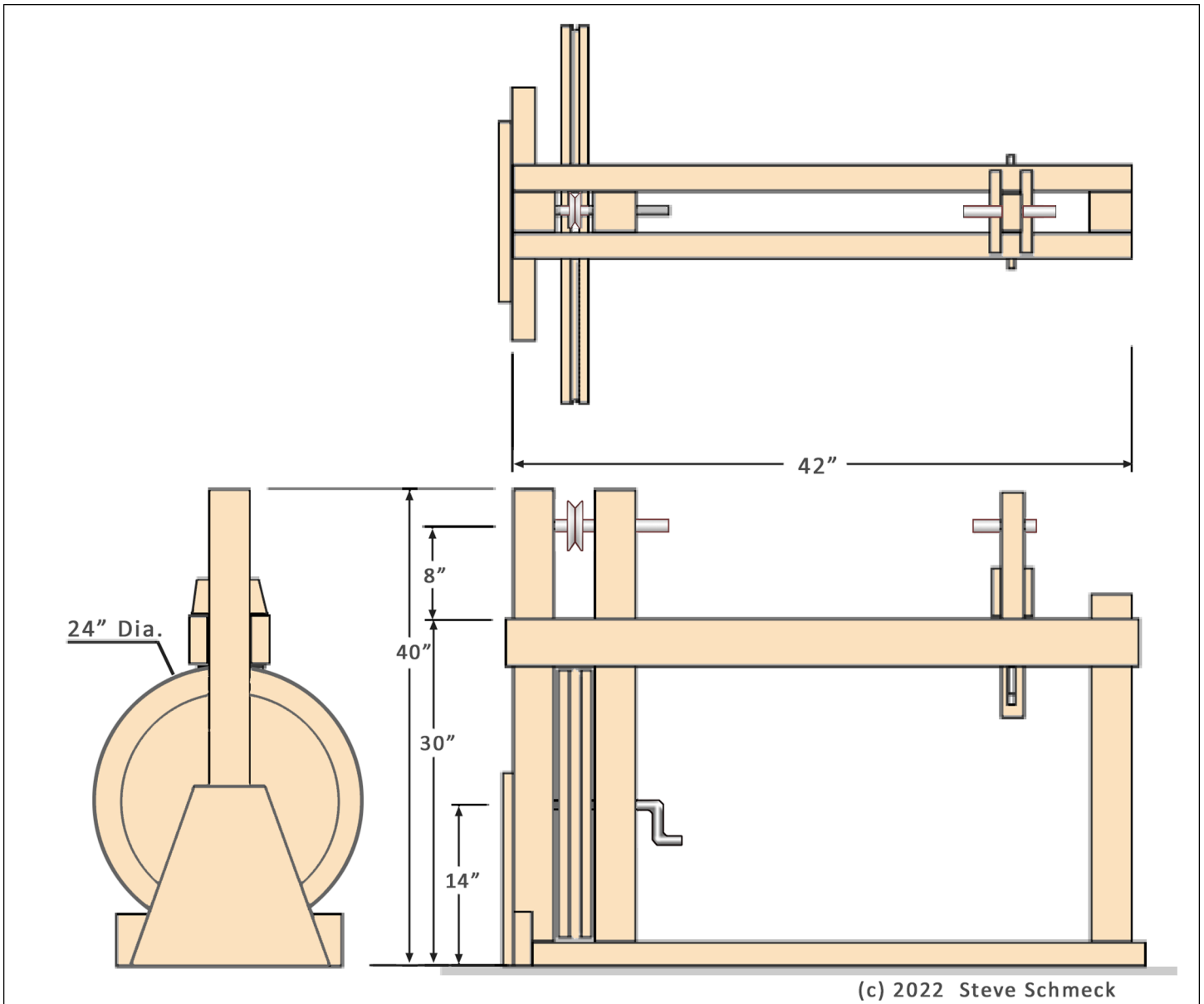


Make Your Own Treadle Lathe – Measured Drawing



Thanks again for buying *Make Your Own Treadle Lathe*. I hope that you are enjoying it and that this drawing helps you build your new lathe.

Steve